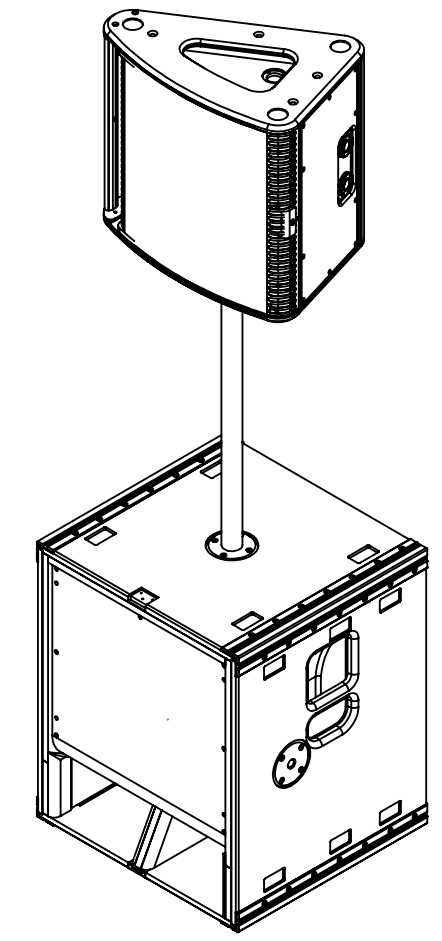


POLE TYPE DESCRIPTION	PN	Pole Height Range		Top of Cabinet Height		Center of Horn Height	
		Min (A)	Max (B)	Min (C)	Max (D)	Min (E)	Max (F)
Pole Fixed Length, M20/Ring Lock, kiT Series	Single Pole Part 10702	2' 5.5"	-	4' 1.5"	-	3' 3.5"	-
	Pair (2x Pole) + Carrying Case 10708						
Pole Adjustable Length, M20/Ring Lock, kiT Series	Single Pole Part 10703	3' 2.5"	5' 5.5"	5' 9.5"	7' 1.5"	4' .5"	6' 3.5"
	Pair (2x Pole) + Carrying Case 9815						
Pole with Hand Crank, M20/Ring Lock, kiT Series	Single Pole Part 10704	2' 7.5"	4' 6.5"	4' 3.5"	6' 2.5"	3' 5.5"	5' 4.5"
	Pair (2x Pole) + Carrying Case 10709						



NOTES:
 1. 1AM SHOWN, 1AM+ IS SIMILARLY COMPATIBLE



PROPRIETARY AND CONFIDENTIAL
 THE INFORMATION CONTAINED IN THIS DRAWING IS THE SOLE PROPERTY OF CLAIR BROTHERS AUDIO SYSTEMS INC.. ANY REPRODUCTION IN PART OR AS A WHOLE WITHOUT THE WRITTEN PERMISSION OF CLAIR BROTHERS AUDIO SYSTEMS INC. IS PROHIBITED.

UNLESS OTHERWISE SPECIFIED:	NAME	DATE
DIMENSIONS ARE IN INCHES	DSN. ENG.	JMS 7/28/2016
TOLERANCES:	DRAWN	CRA 7/28/2016
FRACTIONAL ± 1/32	CHECKED	--
ANGULAR: MACH ± 0.5 BEND ± 0.5	V.BAT	--
TWO PLACE DECIMAL ± .01	Q.C.	--
THREE PLACE DECIMAL ± .001	MFG. APPR.	--
INTERPRET GEOMETRIC TOLERANCING PER: ANSI Y14.5	ENG. APPR.	--
MATERIAL	COMMENTS:	
Material Type		
Finish		
Finish Type		
DO NOT SCALE DRAWING		

Clair Brothers Audio Systems, Inc.
 Phone: (717) 665-4000 Fax: (717) 665-8000

Mailing & Shipping:
 One Clair Blvd.
 Manheim, PA 17545

TITLE: 1AM Pole Mount

SIZE	DWG. NO.	REV
B	11494ML	00

SCALE: NTS WEIGHT: SHEET 1 OF 1