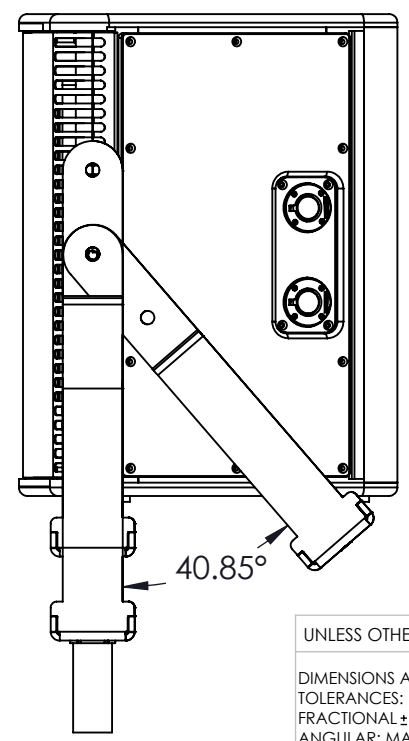
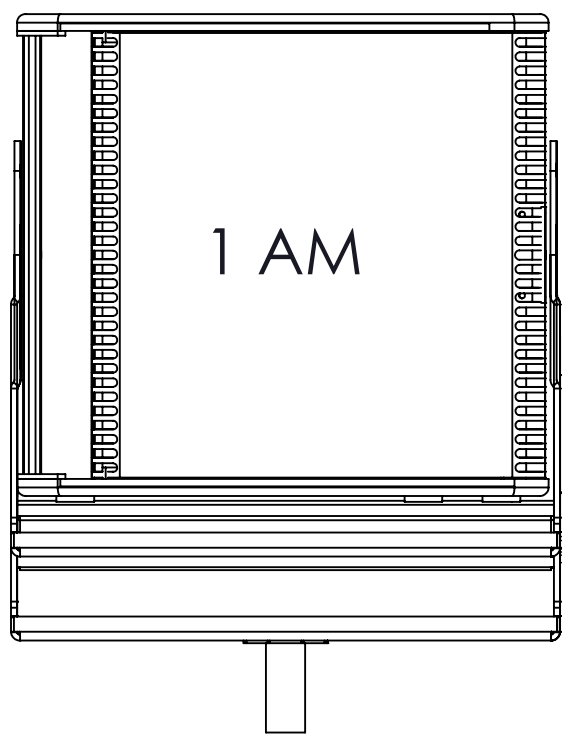
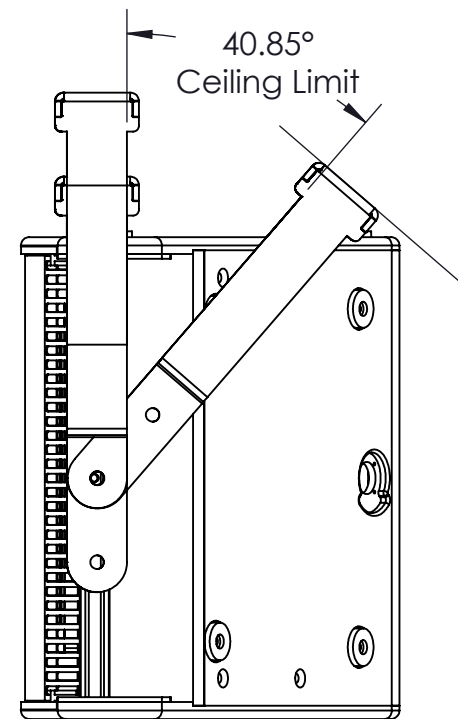
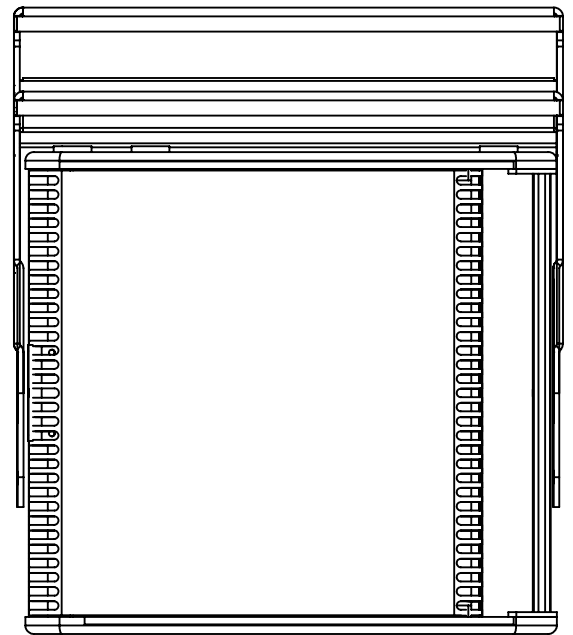


ITEM NO.	PART NUMBER	DESCRIPTION	QTY.
1	11149	Vertical Yoke Bracket	1
2	11109	1AM Cabinet	1
3	11167	8CX Pole Mount	1



NOTES:

1. 1AM SHOWN, 1AM+ IS SIMILARLY COMPATIBLE



PROPRIETARY AND CONFIDENTIAL
 THE INFORMATION CONTAINED IN THIS DRAWING IS THE SOLE PROPERTY OF CLAIR BROTHERS AUDIO SYSTEMS INC. ANY REPRODUCTION IN PART OR AS A WHOLE WITHOUT THE WRITTEN PERMISSION OF CLAIR BROTHERS AUDIO SYSTEMS INC. IS PROHIBITED.

UNLESS OTHERWISE SPECIFIED:		NAME	DATE
DIMENSIONS ARE IN INCHES		DSN. ENG.	JMS 1/25/2016
TOLERANCES:		DRAWN	CRA 1/25/2016
FRACTIONAL ± 1/32		CHECKED	--
ANGULAR: MACH ± 0.5 BEND ± 0.5		V.BAT	--
TWO PLACE DECIMAL ± .01		Q.C.	--
THREE PLACE DECIMAL ± .001		MFG. APPR.	--
INTERPRET GEOMETRIC TOLERANCING PER: ANSI Y14.5		ENG. APPR.	--
MATERIAL		COMMENTS:	
Material Type			
Finish			
Finish Type			
DO NOT SCALE DRAWING			

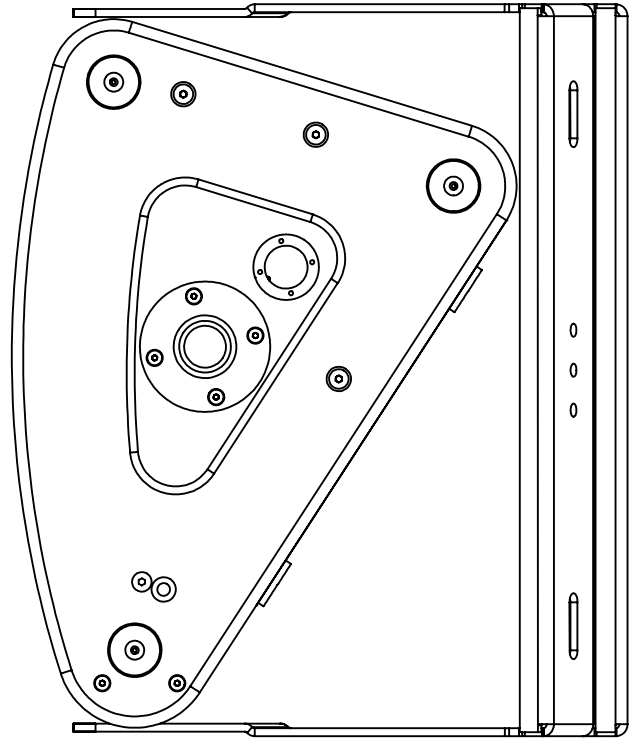
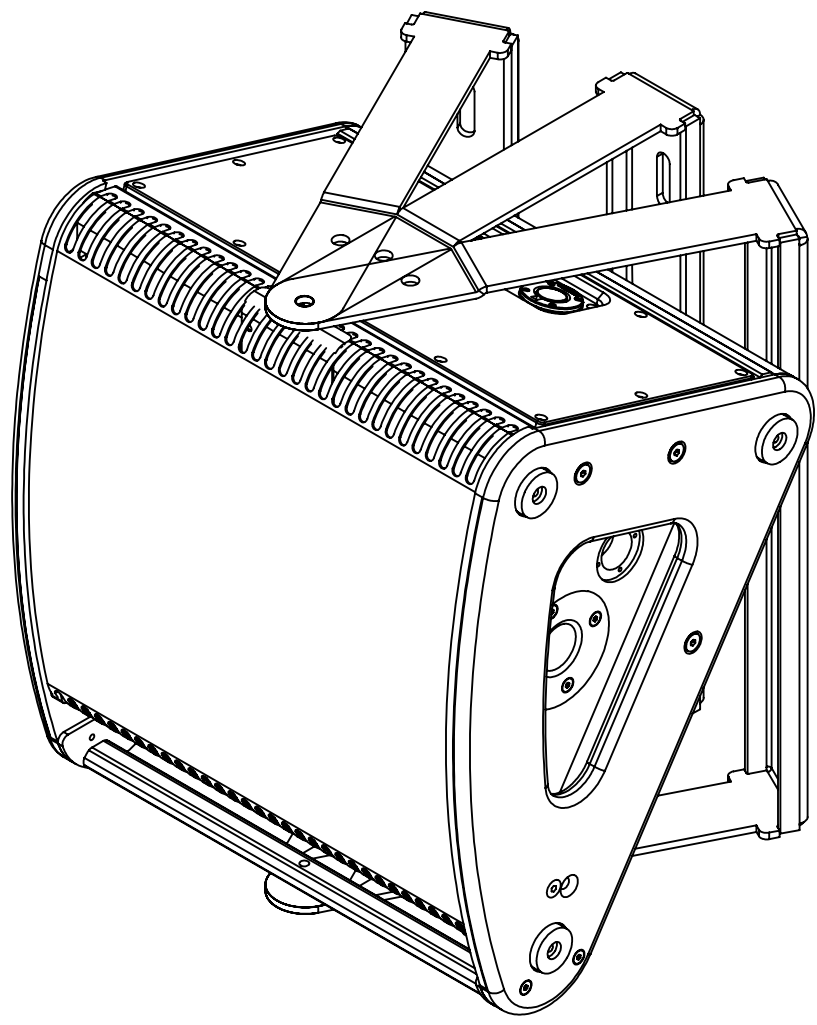
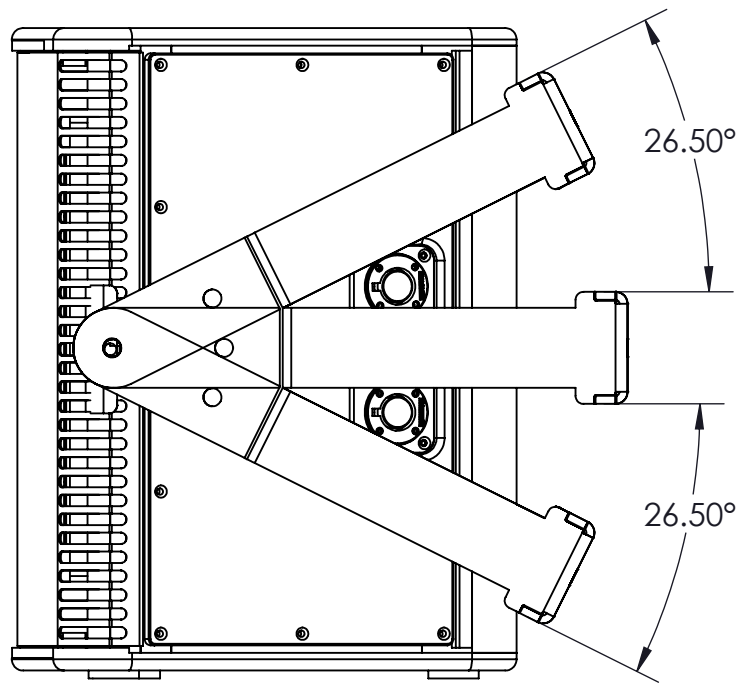
Clair Brothers Audio Systems, Inc.
 Phone: (717) 665-4000 Fax: (717) 665-8000

Mailing & Shipping:
 One Clair Blvd.
 Manheim, PA 17545

TITLE: 1AM, Yoke Rigging Angles		
SIZE B	DWG. NO. 11493ML	REV 00
SCALE: 1:8	WEIGHT:	SHEET 1 OF 4

8 7 6 5 4 3 2 1

ITEM NO.	PART NUMBER	DESCRIPTION	QTY.
1	11149	Vertical Yoke Bracket	1
2	11109	1AM Cabinet	1



NOTES:

1. 1AM SHOWN, 1AM+ IS SIMILARLY COMPATIBLE



PROPRIETARY AND CONFIDENTIAL
 THE INFORMATION CONTAINED IN THIS DRAWING IS THE SOLE PROPERTY OF CLAIR BROTHERS AUDIO SYSTEMS INC.. ANY REPRODUCTION IN PART OR AS A WHOLE WITHOUT THE WRITTEN PERMISSION OF CLAIR BROTHERS AUDIO SYSTEMS INC. IS PROHIBITED.

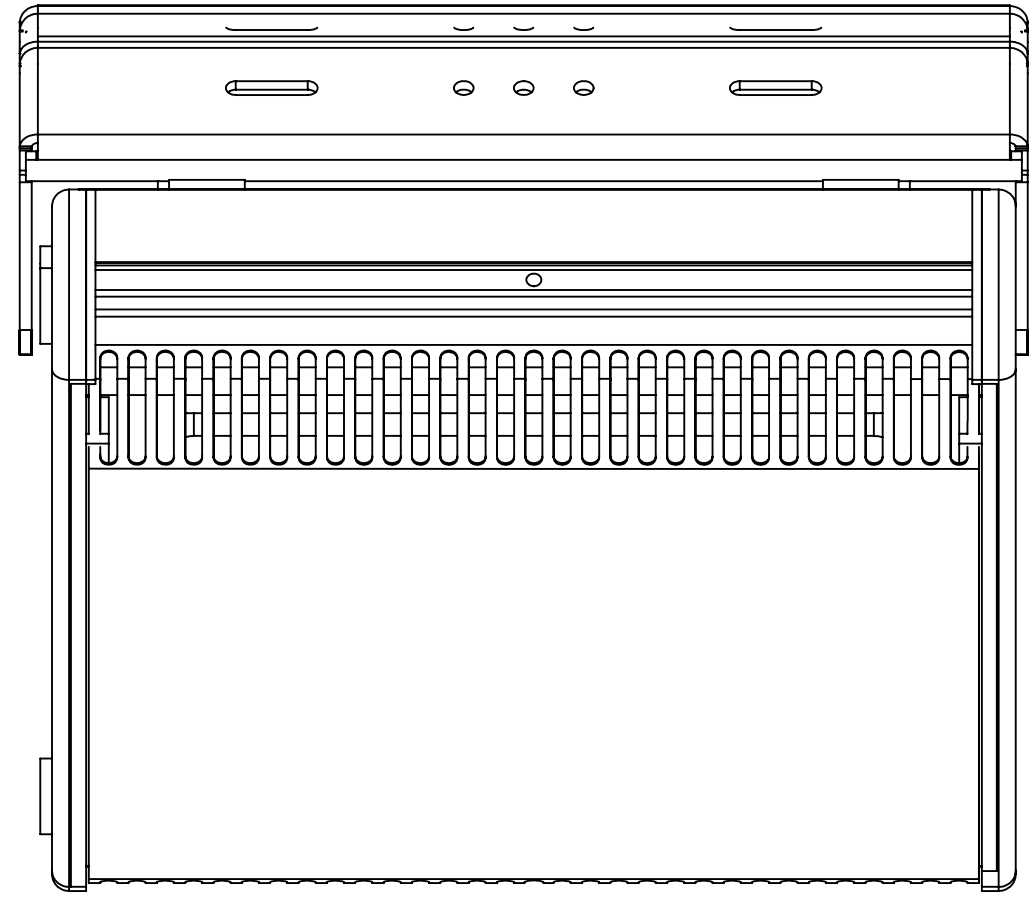
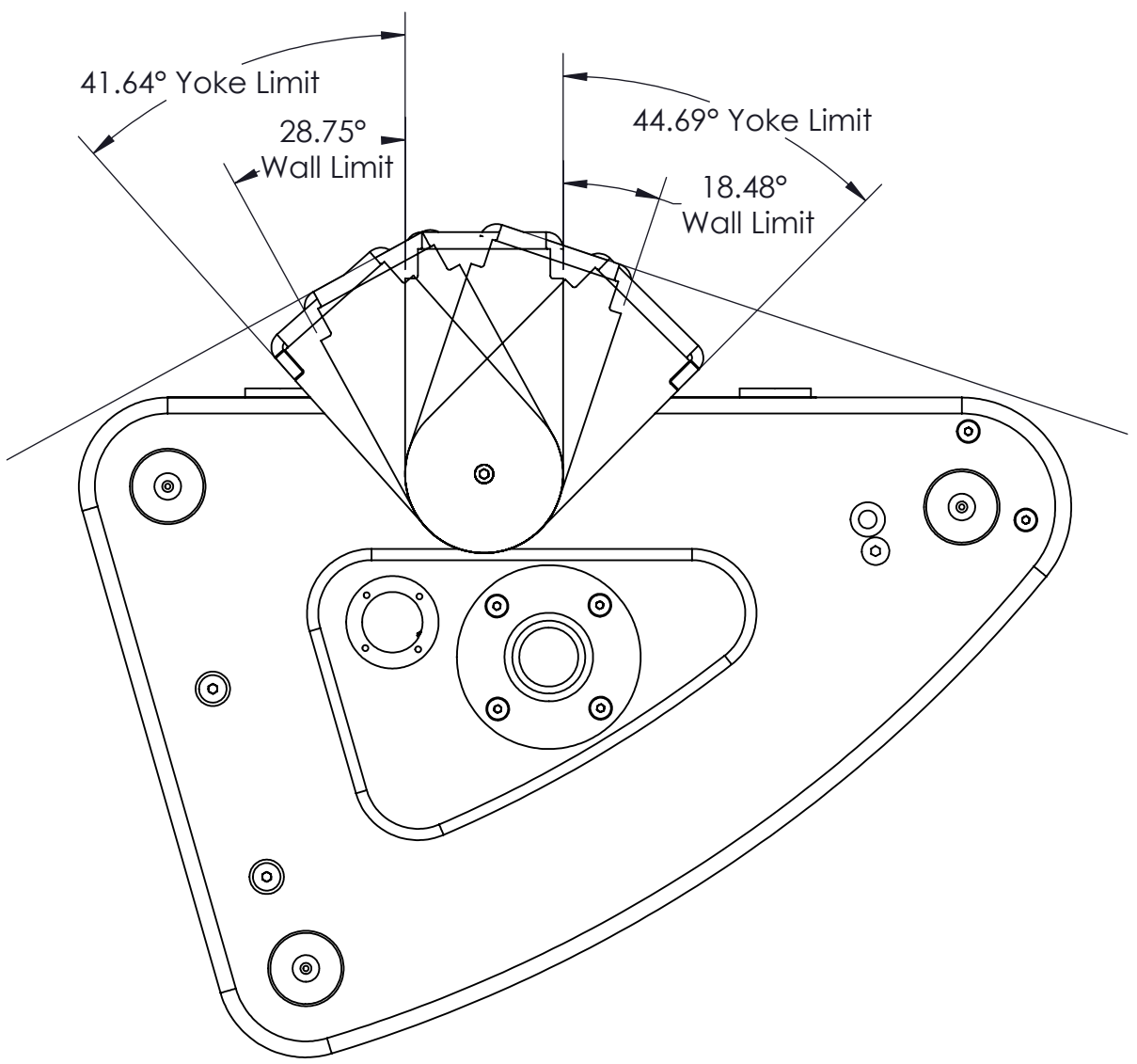
UNLESS OTHERWISE SPECIFIED:		NAME	DATE
DIMENSIONS ARE IN INCHES		DSN. ENG.	JMS 1/25/2016
TOLERANCES:		DRAWN	CRA 1/25/2016
FRACTIONAL ± 1/32		CHECKED	--
ANGULAR: MACH ± 0.5 BEND ± 0.5		V.BAT	--
TWO PLACE DECIMAL ± .01		Q.C.	--
THREE PLACE DECIMAL ± .001		MFG. APPR.	--
INTERPRET GEOMETRIC TOLERANCING PER: ANSI Y14.5		ENG. APPR.	--
MATERIAL		COMMENTS:	
Material Type			
Finish			
Finish Type			
DO NOT SCALE DRAWING			

Clair Brothers Audio Systems, Inc.
 Phone: (717) 665-4000 Fax: (717) 665-8000
Mailing & Shipping:
 One Clair Blvd.
 Manheim, PA 17545

TITLE:
 1AM, Yoke Rigging Angles
SIZE DWG. NO. REV
B 11493ML 00
 SCALE: 1:8 WEIGHT: SHEET 2 OF 4

8 7 6 5 4 3 2 1

ITEM NO.	PART NUMBER	DESCRIPTION	QTY.
1	11148	Horizontal Yoke Bracket	1
2	11109	1AM Cabinet	1



NOTES:

1. 1AM SHOWN, 1AM+ IS SIMILARLY COMPATIBLE



PROPRIETARY AND CONFIDENTIAL
THE INFORMATION CONTAINED IN THIS DRAWING IS THE SOLE PROPERTY OF CLAIR BROTHERS AUDIO SYSTEMS INC.. ANY REPRODUCTION IN PART OR AS A WHOLE WITHOUT THE WRITTEN PERMISSION OF CLAIR BROTHERS AUDIO SYSTEMS INC. IS PROHIBITED.

UNLESS OTHERWISE SPECIFIED:		NAME	DATE
DIMENSIONS ARE IN INCHES		DSN. ENG.	JMS 1/25/2016
TOLERANCES:		DRAWN	CRA 1/25/2016
FRACTIONAL ± 1/32		CHECKED	--
ANGULAR: MACH ± 0.5 BEND ± 0.5		V.BAT	--
TWO PLACE DECIMAL ± .01		Q.C.	--
THREE PLACE DECIMAL ± .001		MFG. APPR.	--
INTERPRET GEOMETRIC TOLERANCING PER: ANSI Y14.5		ENG. APPR.	--
MATERIAL	Material Type	COMMENTS:	
FINISH	Finish Type		
DO NOT SCALE DRAWING			

Clair Brothers Audio Systems, Inc.
Phone: (717) 665-4000 Fax: (717) 665-8000

Mailing & Shipping:
One Clair Blvd.
Manheim, PA 17545

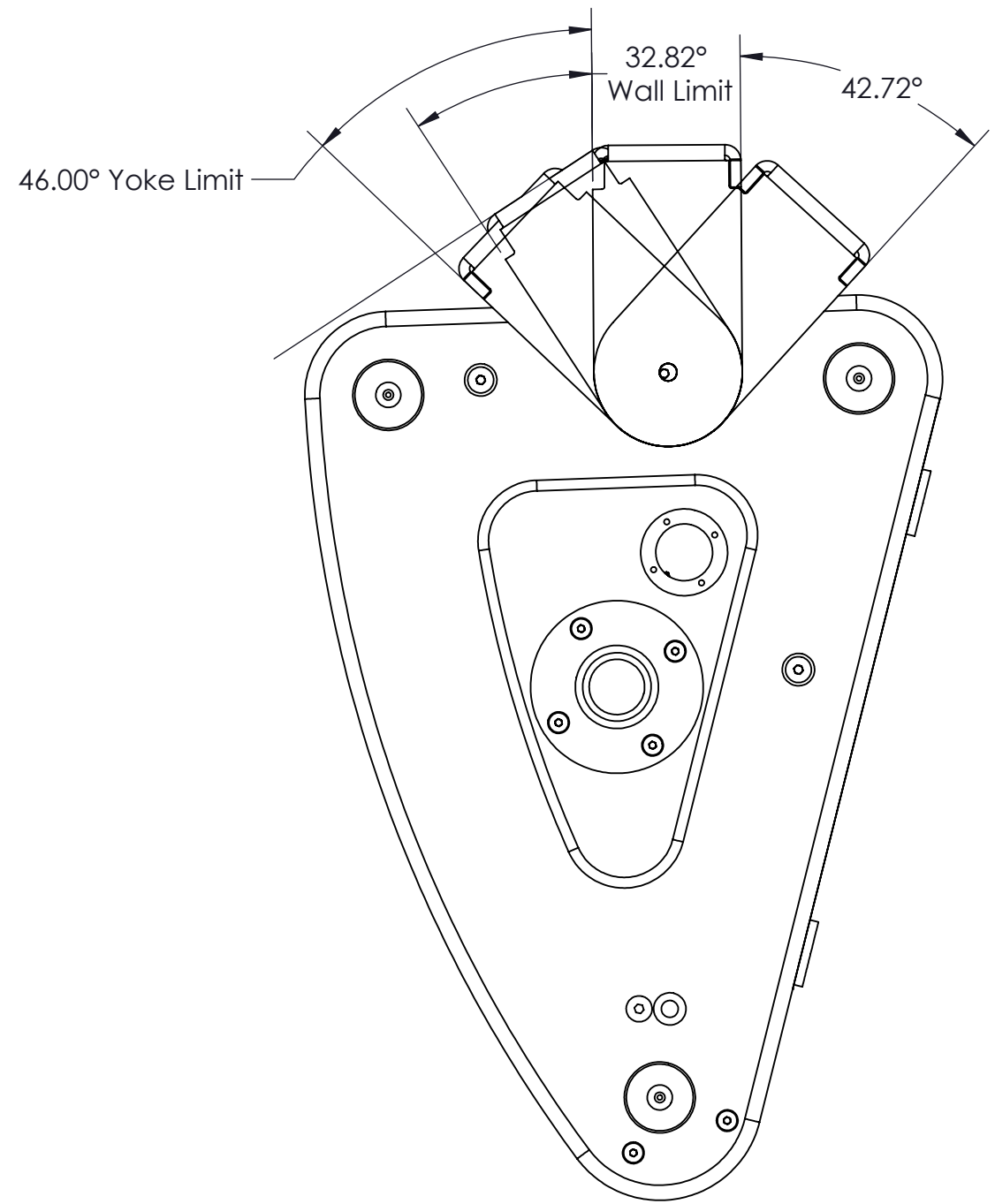
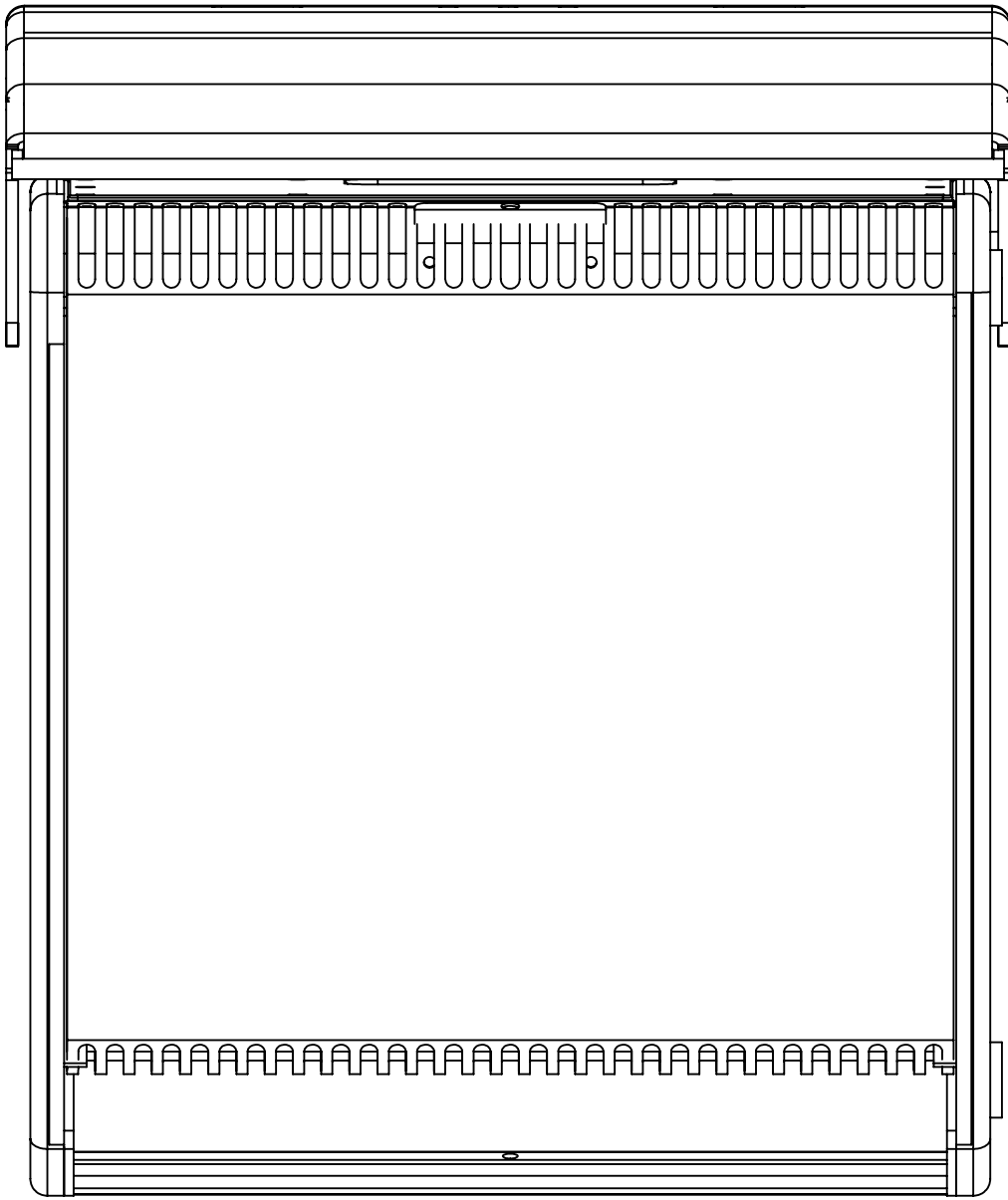
TITLE:
1AM, Yoke Rigging Angles

SIZE	DWG. NO.	REV
B	11493ML	00

SCALE: 1:8 WEIGHT: SHEET 3 OF 4

ITEM NO.	PART NUMBER	DESCRIPTION	QTY.
1	11148	Horizontal Yoke Bracket	1
2	11109	1AM Cabinet	1

D
C
B
A



NOTES:

1. 1AM SHOWN, 1AM+ IS SIMILARLY COMPATIBLE



PROPRIETARY AND CONFIDENTIAL
 THE INFORMATION CONTAINED IN THIS DRAWING IS THE SOLE PROPERTY OF CLAIR BROTHERS AUDIO SYSTEMS INC.. ANY REPRODUCTION IN PART OR AS A WHOLE WITHOUT THE WRITTEN PERMISSION OF CLAIR BROTHERS AUDIO SYSTEMS INC. IS PROHIBITED.

UNLESS OTHERWISE SPECIFIED:		NAME	DATE
DIMENSIONS ARE IN INCHES		DSN. ENG.	JMS 1/25/2016
TOLERANCES:		DRAWN	CRA 1/25/2016
FRACTIONAL ± 1/32		CHECKED	--
ANGULAR: MACH ± 0.5 BEND ± 0.5		V.BAT	--
TWO PLACE DECIMAL ± .01		Q.C.	--
THREE PLACE DECIMAL ± .001		MFG. APPR.	--
INTERPRET GEOMETRIC TOLERANCING PER: ANSI Y14.5		ENG. APPR.	--
MATERIAL		COMMENTS:	
Material Type			
FINISH			
Finish Type			
DO NOT SCALE DRAWING			

Clair Brothers Audio Systems, Inc.
 Phone: (717) 665-4000 Fax: (717) 665-8000
Mailing & Shipping:
 One Clair Blvd.
 Manheim, PA 17545

TITLE: 1AM, Yoke Rigging Angles		
SIZE B	DWG. NO. 11493ML	REV 00
SCALE: 1:8	WEIGHT:	SHEET 4 OF 4

8 7 6 5 4 3 2 1