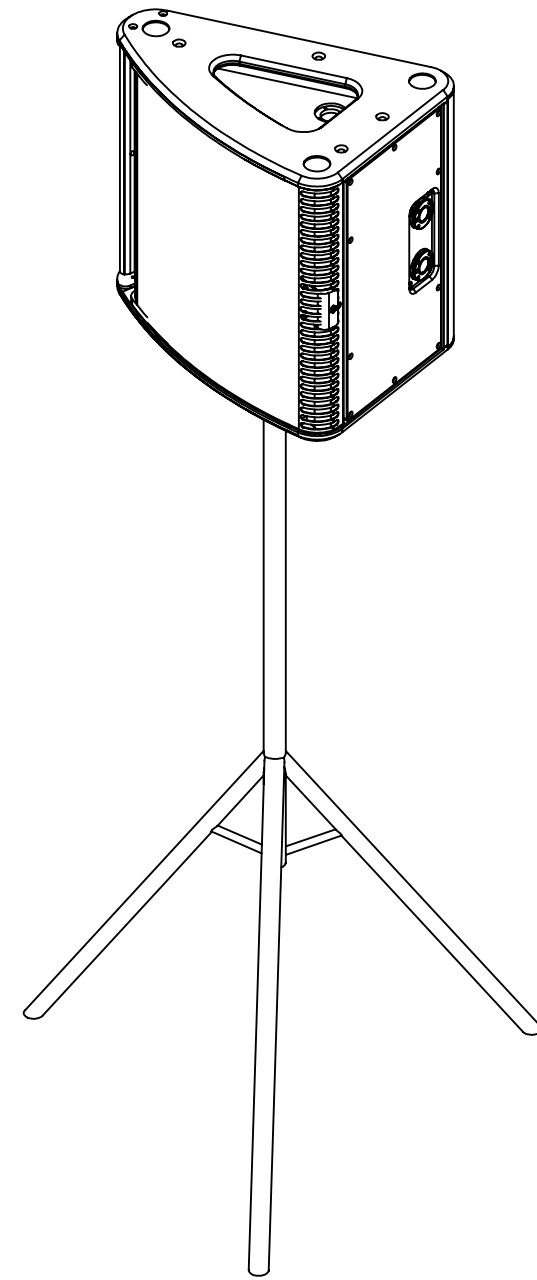
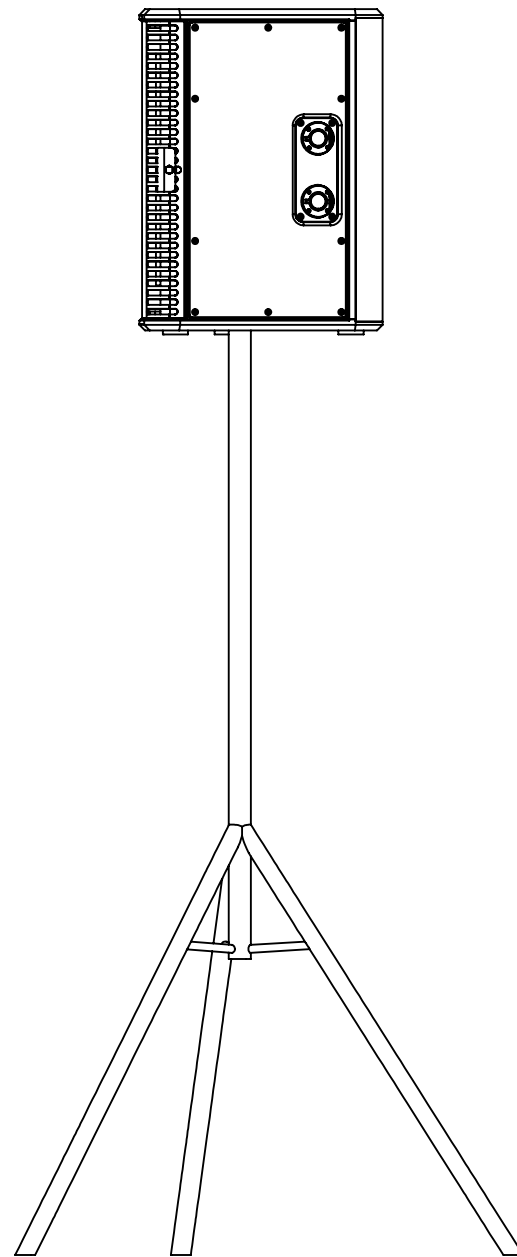
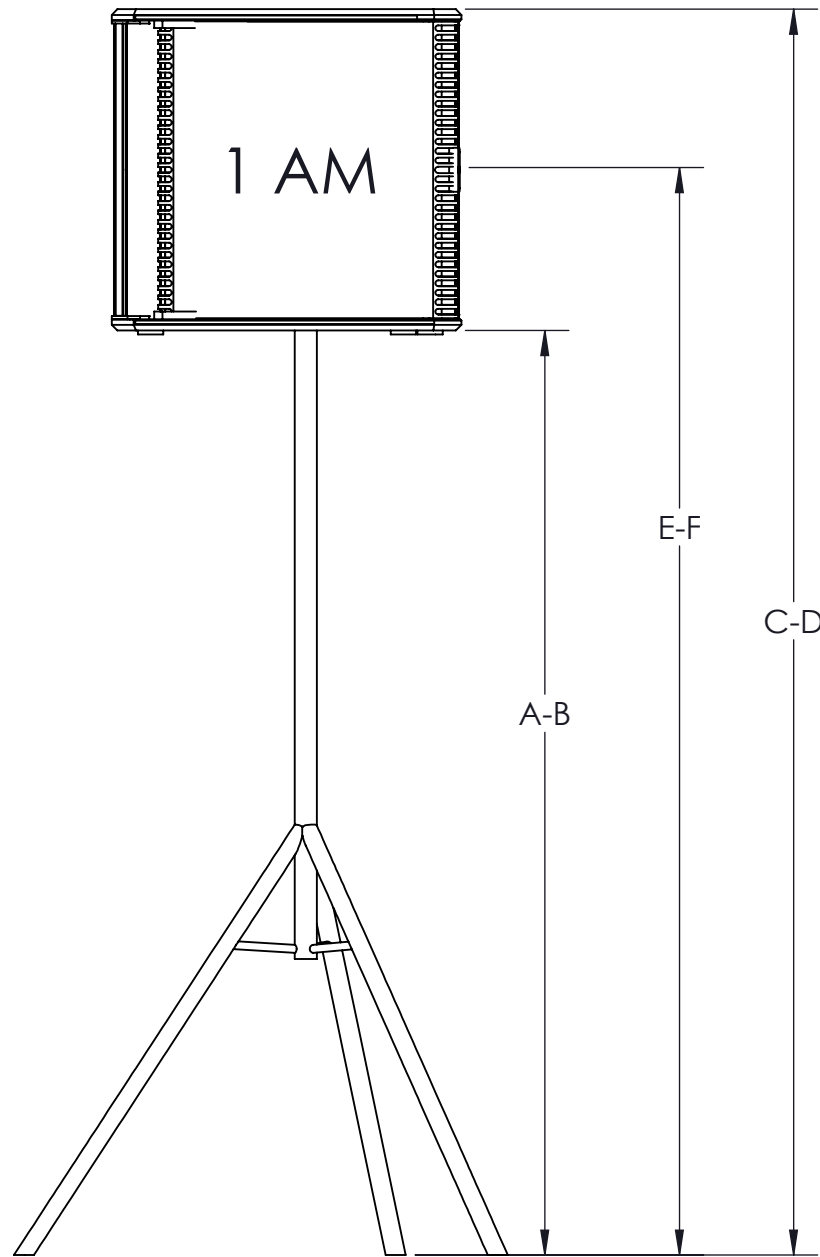


8 7 6 5 4 3 2 1

TRIPOD STAND	PN		Min (A)	Max (B)	Min (C)	Max (D)	Min (E)	Max (F)
Tripod Stand, Ring Lock, kiT Series	Single Pole Part	10705	3' 10.5"	6' 4.5"	5' 6.5"	8' 2.5"	4' 8.5"	7' 2.5"
	Pair (2x Pole) + Carrying Case	10659						

D  
C  
B  
A



D  
C  
B  
A

NOTES:  
1. 1AM SHOWN, 1AM+ IS SIMILARLY COMPATIBLE



**PROPRIETARY AND CONFIDENTIAL**  
THE INFORMATION CONTAINED IN THIS DRAWING IS THE SOLE PROPERTY OF CLAIR BROTHERS AUDIO SYSTEMS INC.. ANY REPRODUCTION IN PART OR AS A WHOLE WITHOUT THE WRITTEN PERMISSION OF CLAIR BROTHERS AUDIO SYSTEMS INC. IS PROHIBITED.

UNLESS OTHERWISE SPECIFIED:	NAME	DATE
DIMENSIONS ARE IN INCHES	DSN. ENG.	JMS 7/28/2016
TOLERANCES:	DRAWN	CRA 7/28/2016
FRACTIONAL ± 1/32	CHECKED	--
ANGULAR: MACH ± 0.5 BEND ± 0.5	V.BAT	--
TWO PLACE DECIMAL ± .01	Q.C.	--
THREE PLACE DECIMAL ± .001	MFG. APPR.	--
INTERPRET GEOMETRIC TOLERANCING PER: ANSI Y14.5	ENG. APPR.	--
MATERIAL	COMMENTS:	
Material Type		
FINISH		
Finish Type		
DO NOT SCALE DRAWING		

**Clair Brothers Audio Systems, Inc.**  
Phone: (717) 665-4000 Fax: (717) 665-8000

**Mailing & Shipping:**  
One Clair Blvd.  
Manheim, PA 17545

TITLE: 1 AM Tripod Mount

SIZE **B** DWG. NO. 11495ML REV 00

SCALE: 1:12 WEIGHT: SHEET 1 OF 1

8 7 6 5 4 3 2 1