



Applications

Live Sound Reinforcement
Theaters
Houses of Worship
Dance Clubs
Cruise Ships
Entertainment Venues
Educational Facilities

Features

kiT Rigging Corners
90°x15° Curved Array Waveguide
Machined Baltic Birch Waveguide/Horn
Unobstructed Venturi Reflex Ports
LF Device: 12 in (304.8mm)
HF Devices: (2)
Exit: 1.4 in (35.6mm)
Voice Coil Diam: 3 in (76.2mm)
Integral Dual Angle Pole Mounts
Durable Polyurea Coating
(2) EP-4 Connectors
+ (1) 4-Position Terminal Strip

General Description

kiTCURVE12 is a full range, curved array high output loudspeaker ideal for speech and music reproduction. The kiTCURVE12 is one of Clair Brothers most versatile full range speakers. kiTCURVE design technology is rooted in Clair Brothers CAT (Curved Array Technology). The kiTCURVE combines the arrayability of the CAT with the portability and versatility of the kiT Series.

Exceptional intelligibility, high output performance and durability make the kiTCURVE12 an excellent choice for virtually any indoor or outdoor application.

The kiTCURVE12 has been engineered for optimal individual performance or as part of a multiple cabinet system with added flexibility to mount vertically or horizontally, or on pole mount with subwoofer base.

The cabinet features a custom OEM 12" transducer and two 1.4" exit/3" voice coil diameter high frequency drivers coupled to a 90° H x 15° V constant curvature, constant directivity horn that delivers naturally smooth uniform coverage in both near-field and medium throw applications. Multiple cabinets may be arrayed, up to 5 high when flown, to create a seamless vertical coverage of 75°.

The kiTCURVE12 may be amplified using one of several different CB amplified controller platforms, in all cases, the kiTCURVE12 is bi-amplified. There are several different factory presets that allow

the user to achieve an optimized starting point for single cabinet or array mode applications. The rear panel of the enclosure includes an input connector panel with (1) EP-4 Male, (1) EP-4 Female and (1) 4-Position terminal strip. The kiTCURVE may be upgraded to the powered version, the kiTCURVE12+ by simply exchanging the connector panel for the kiTCURVE12+ amplifier module assembly.

For a cabinet of its size the kiTCURVE12 offers extremely efficient low-end response to 51Hz. As with all Clair Brothers products, the kiTCURVE12 is constructed of the finest Baltic birch and finished with a rugged polyurea coating to withstand the most demanding conditions. The speaker grille is constructed of high grade 14 gauge perforated steel with a powder coated finish.

Options & Accessories

Rigging Accessories

- kiTCURVE12+ – Self-Powered Model: (2) XLR Connectors (1 XLR-F In, 1 XLR-M Thru)
- kiTCURVE12-TrueFit – Custom Configured Variable Waveguides
- RC-kiTCURVE12 – Clamshell ATA-style road case for (2x) kiTCURVE12
- kiT-Sub – Rigging/Stacking Companion Subwoofer
- kiT-Sub-Mini – Rigging/Stacking Compact Companion Subwoofer

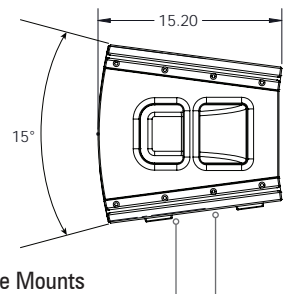
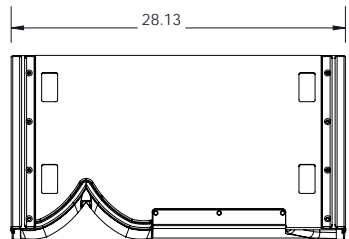
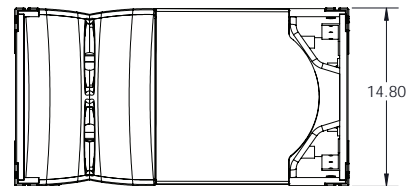
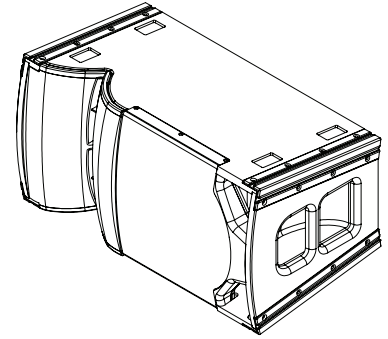
Audio Specifications

Loudspeaker Type		Two-Way Active (non powered)
Frequency Response (+/- 2dB)		51Hz–20kHz
Recommended Power Amplifier		1000–1200W @ 8 Ohms
Sensitivity (1 Watt @ 1 Meter)	LF	98.5 dB SPL
	HF	108 dB SPL
Maximum Output ¹		134.8 dB SPL
Drivers	LF	(1) 12 in (304.8mm)
	HF	(2) Exit 1.4 in (35.6mm); VC diameter 3.0 in (76.2mm)
Nominal Impedance	LF	8 Ohms
	HF	8 Ohms
Power Handling	LF	700W Cont.
	HF	300W Cont.
Dispersion	Nominal -6dB	90° H x 15° V
Input Connections	Standard	(2) EP-4 (1 Female, 1 Male) + (1) 4-Position Terminal Strip

Mechanical Specifications

Enclosure	Shell	18mm Baltic Birch
	Finish	Durable Polyurea Coating
Rigging		kiT Rigging Corners
Grille		Perforated Steel, Foam Backed
Dimensions	Front Height	14.80 in. (376.0mm)
	Rear Height	7.75 in. (197.0mm)
	Width	28.13 in. (714.6mm)
	Depth	15.20 in. (386.0mm)
Weight		61 lbs. (27.7kg)
Shipping Weight		71 lbs. (32.2kg)

1) Measured @ 1 meter in free space with 12dB crest factor pink noise, unweighted.
 Note: All wattage figures are calculated using the rated nominal impedance.
 Clair Brothers products are designed to perform optimally by utilizing factory recommended proprietary DSP settings.



(2x) Integral Pole Mounts

Front Socket = Fixed Angle -7.5°
 Rear Socket = Fixed Angle 0°

Architect and Engineer Specifications

The loudspeaker shall be a two-way active (non powered) system featuring a total of three drivers. The low frequency section shall contain one 12" driver capable of handling 500 watts of pink noise with a 6 dB crest factor for 8 hours (as per EIA RS-426-A standard). The high frequency section shall contain two 1.4" exit compression driver with a 3" diaphragm and shall be attached to a 90° H x 15° V constant-directivity horn. The drivers shall be capable of handling 300 watts (1 kHz –10 kHz) of pink noise with a 6 dB crest factor for 2 hours (as per AES-1984 and ANSI S4.26-1984 standards). The rear of the enclosure shall feature a recessed opening to accept an input connector panel with (1) EP-4 Female, (1) EP-4 Male and (1) 4-Position terminal strip. The dimensions of the input connector panel and locations of its mounting holes shall match the kiTCURVE12+ amplifier module such that future upgrade from non-powered to powered is possible by the end user. The enclosure shall be constructed of 18mm, 13-ply Baltic birch and shall be finished with a durable polyurea coating. Dimensions shall be 14.80" front height tapering to a 7.75" rear height, 28.13" width, and 15.20 " deep. The total cabinet weight shall be 61 lbs (27.7kg). The loudspeaker shall be the Clair Brothers kiTCURVE12.

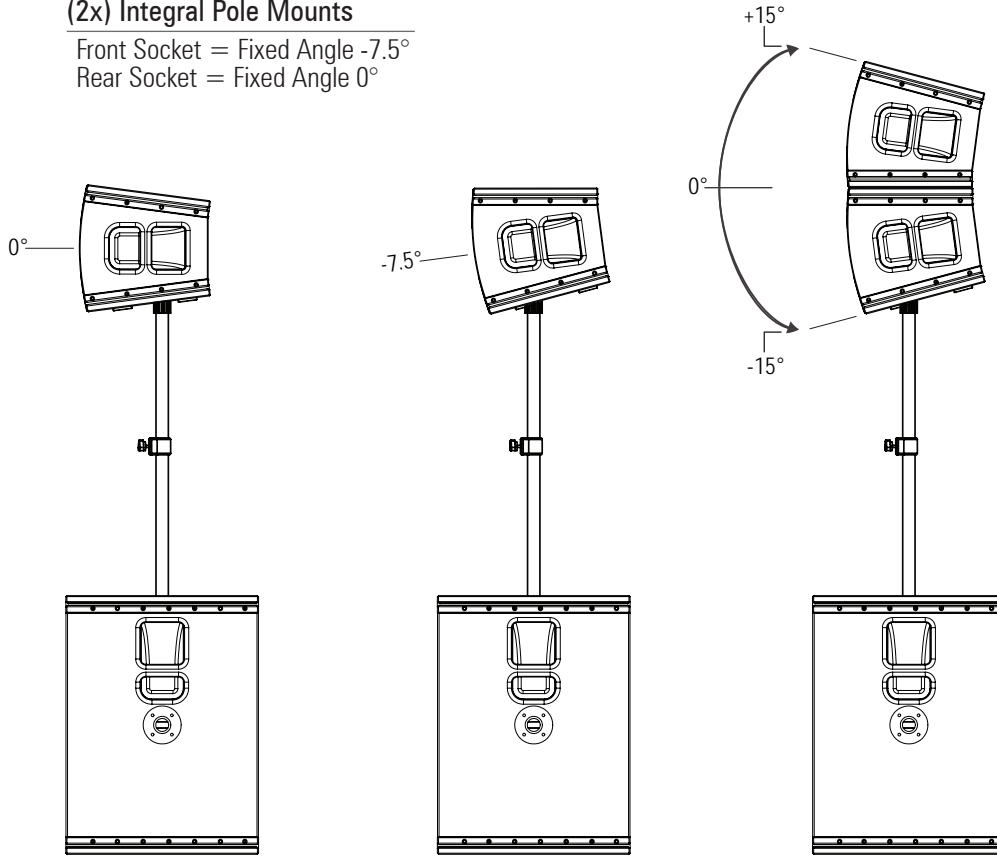
Due to constant research, development and improvements all specifications are subject to change without notice.

CBAS20170813

Modes of Use

(2x) Integral Pole Mounts

Front Socket = Fixed Angle -7.5°
 Rear Socket = Fixed Angle 0°



Rear Pole Mount Socket
(fixed angle 0°)

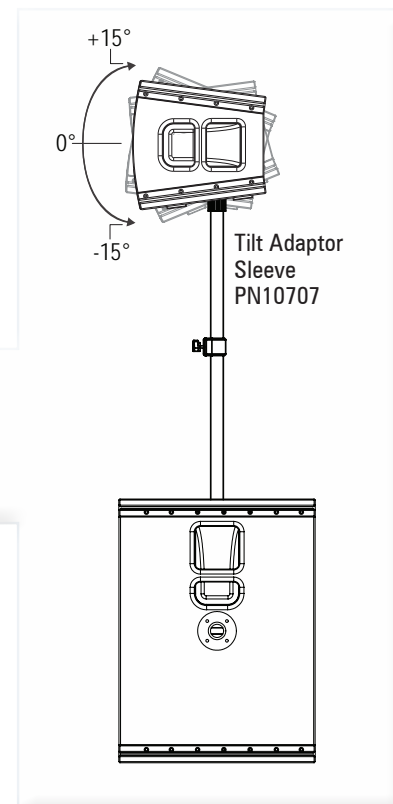
Single kiTCURVE cabinet
 deployed at 0° with kiT-Sub

Front Pole Mount Socket
(fixed angle -7.5°)

Single kiTCURVE cabinet
 deployed at -7.5° with kiT-Sub

Front Pole Mount Socket
(fixed angle -7.5°)

(2x) kiTCURVE array deployed
 at -7.5° with kiT-Sub;
 total 30° V dispersion



Variable Tilt Range Achieved with Accessory

Variable tilt range of 0° to +/-15° possible using accessory, (1x) Tilt Adaptor Sleeve | PN10707